

3 WAYS BALL VALVE THREADED PN 40



ISO 9001 : 2015



PED 2014/68/EU



Certificate 3.1



Size : DN 1/4" to 2"
Ends : Threaded BSP
Min Temperature : - 25°C
Max Temperature : + 180°C
Max Pressure : 40 Bars
Specifications : ISO 5211 mounting pad
PTFE filled with 15% glass fiber seat
Anti blow-out stem

Materials : Stainless steel ASTM A351 CF8M

3 WAYS BALL VALVE THREADED PN 40

SPECIFICATIONS :

- Reduced bore
- Anti blow-out stem
- PTFE filled with 15% glass fiber seat
- Double antistatic device (small ball between stem-body and stem-ball)
- Locking device
- ISO 5211 mounting pad
- Tightness on 3 ways
- L or T port

USE :

- Chemical and pharmaceutical industries, petrochemical industries, hydraulic installation, compressed air
- Min and max Temperature Ts : -25°C to + 180°C
- Max Pressure Ps : 40 bars (see graph)

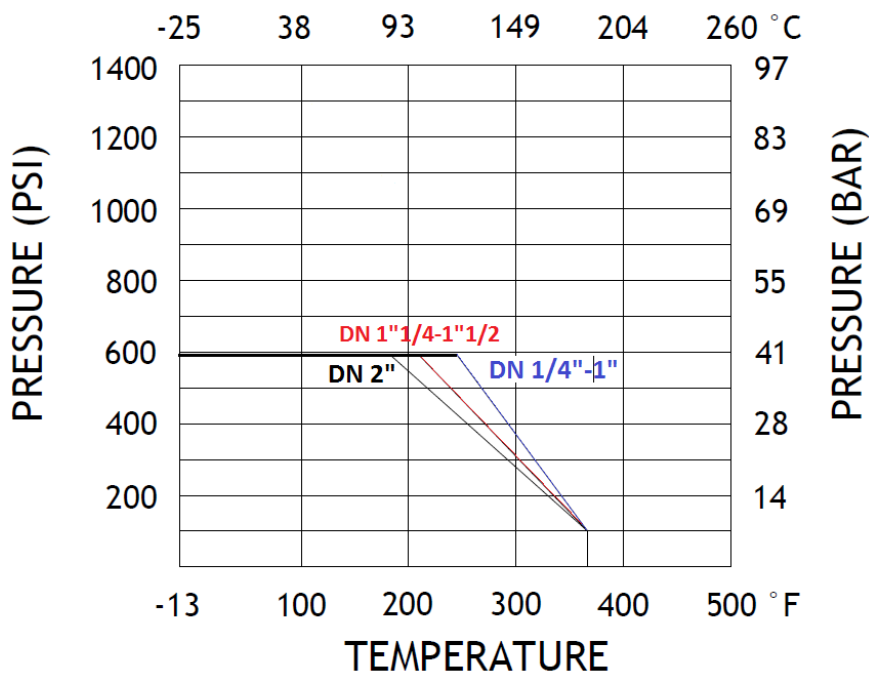
RANGE :

- Stainless steel with L port **Ref. 780** from DN 1/4" to 2"
- Stainless steel with T port **Ref. 781** from DN 1/4" to 2"

ENDS :

- Threaded BSP female cylindrical ends

PRESSURE / TEMPERATURE GRAPH (STEAM EXCLUDED) :



3 WAYS BALL VALVE THREADED PN 40

FLOW COEFFICIENT Kvs (M3/H) :

Ref.	DN	1/4"	3/8"	1/2"	3/4"	1"	1"1/4"	1"1/2"	2"
780 / 781	Kvs (M3 / H)	2.29	3.86	4.75	5.11	11.8	19.6	33.2	53.7

TORQUE VALUES (in Nm without safety coefficient) :

DN	1/4"	3/8"	1/2"	3/4"	1"	1"1/4"	1"1/2"	2"
Torque (Nm)	8	8	8	9	15	20	30	45

3 WAYS BALL VALVE THREADED PN 40

POSSIBLES POSITIONS :

L Port (only 2 consecutive positions are possibles)

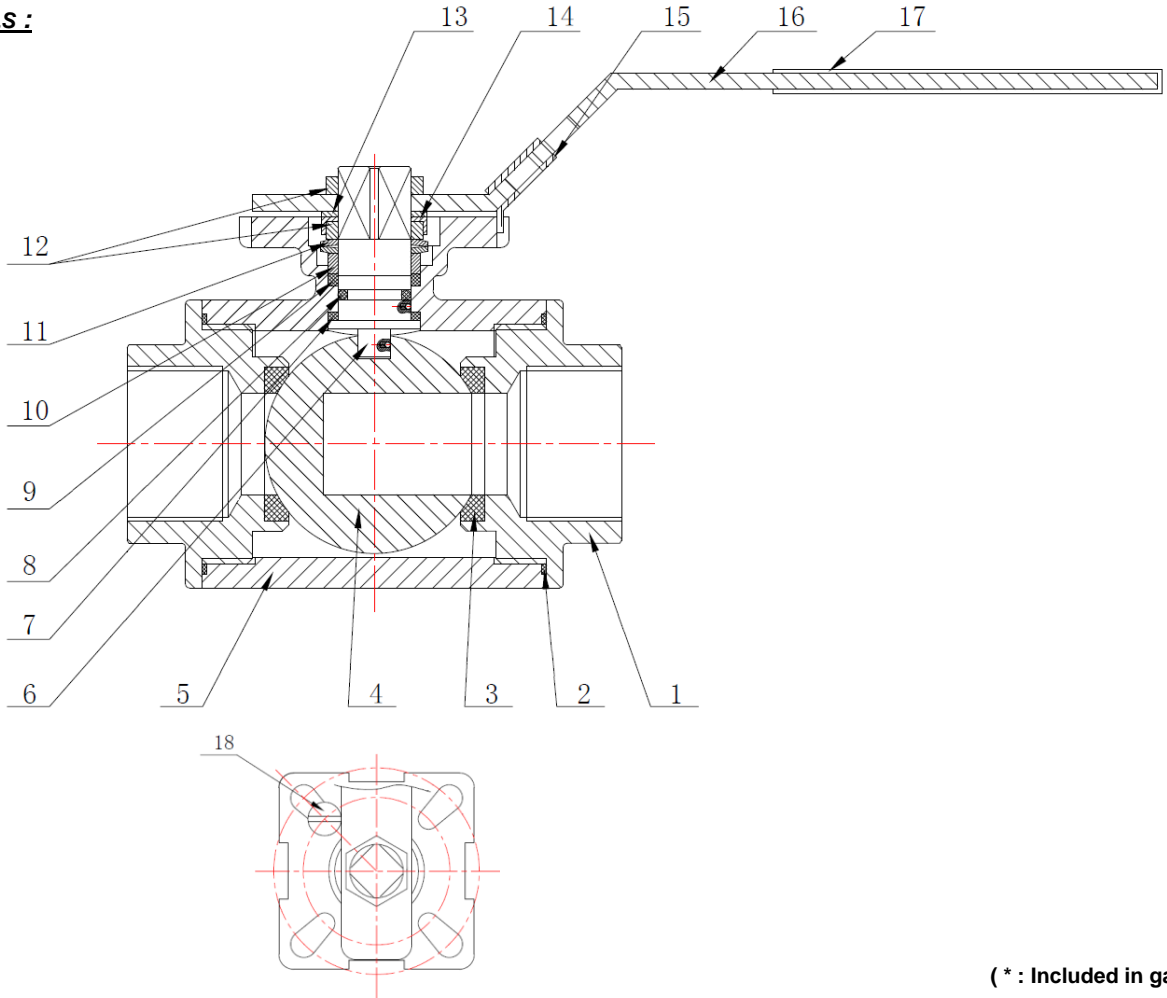
Position L1	Position L2	Position L3	Position L4	Position L5

T Port (only 2 consecutive positions are possibles)

Position T1	Position T2	Position T3	Position T4	Position T5

3 WAYS BALL VALVE THREADED PN 40

MATERIALS :

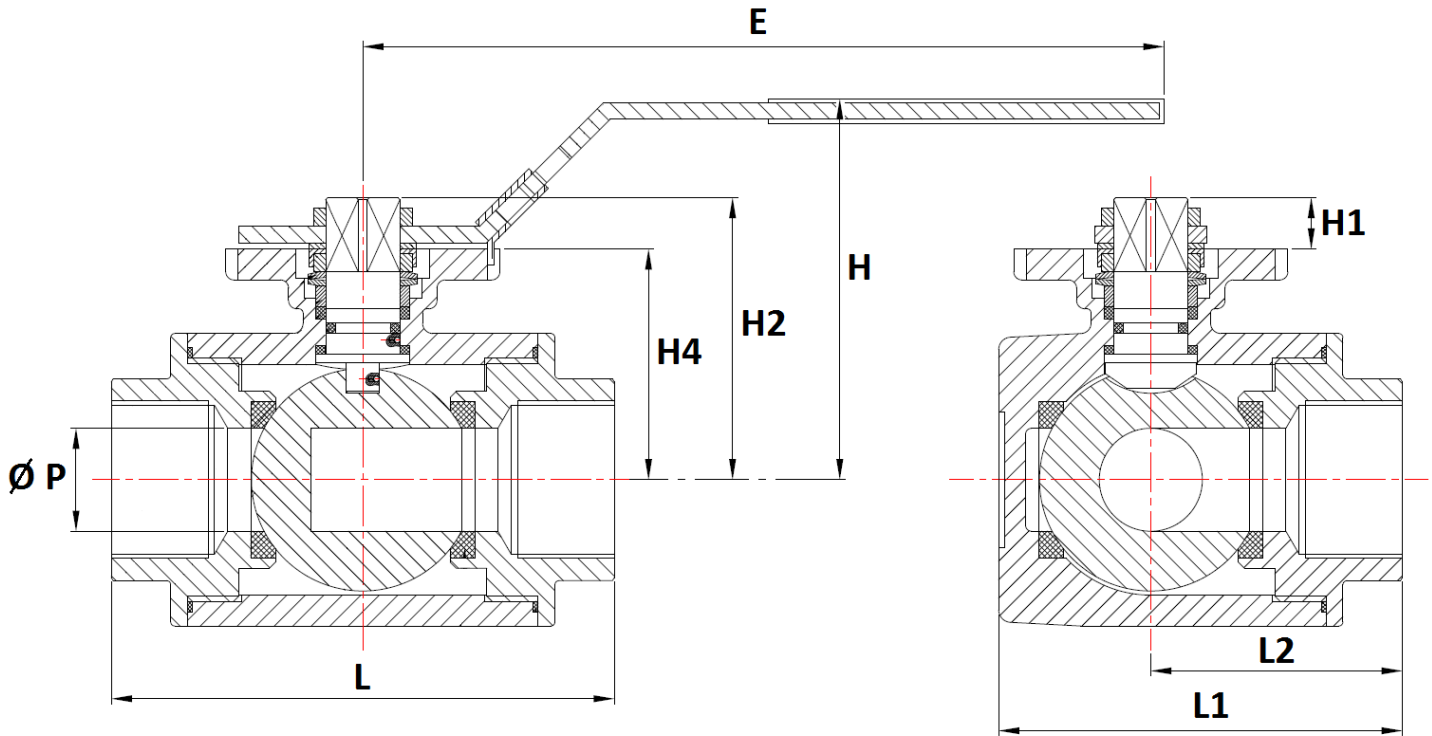


(* : Included in gaskets kit)

Item	Designation	Materials
1	Ends	ASTM A351 CF8M
2*	Body gasket	PTFE
3*	Seat	PTFE filled with 15% glass fiber
4	Ball	AISI 316
5	Body	ASTM A351 CF8M
6	Stem	AISI 316
7*	Stem gasket	PTFE
8*	O ring	FKM
9*	Packing	PTFE
10	Gland	AISI 316
11	Elastic ring	AISI 301
12	Nut	AISI 304
13	Washer	AISI 304
14	Packing nut	AISI 304
15	Locking device	AISI 304
16	Handle	AISI 304
17	Handle cover	Plastic
18	Stop pin	AISI 304

3 WAYS BALL VALVE THREADED PN 40

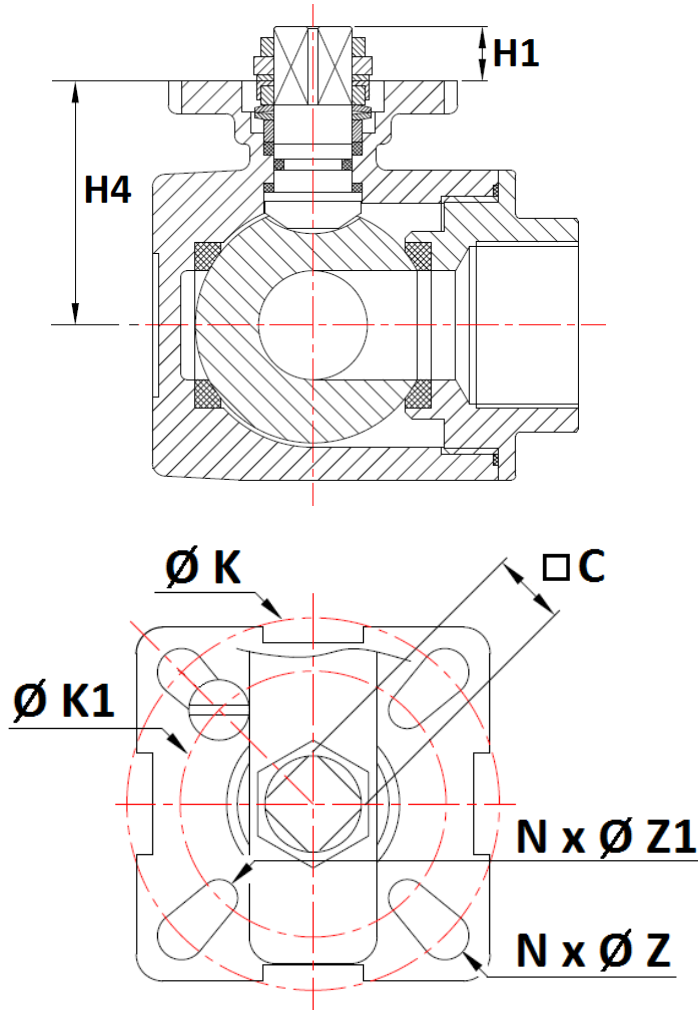
SIZE (in mm) :



Ref.	DN	1/4"	3/8"	1/2"	3/4"	1"	1"1/4"	1"1/2"	2"
780 / 781	Ø P	9.5	11	12	15	20	25	32	40
	L	75	75	75	85	100	122	131	158
	L1	57.5	57.5	57.5	65.5	79	97	106.5	129
	L2	37.5	37.5	37.5	42.5	50	61	65.5	79
	E	130	130	130	161	161	203	203	203
	H	66	66	66	72	77	92	96	107
	H1	8.5	8.5	8.5	11	12	13.5	13.5	13
	H2	45.3	45.3	45.3	52	58.5	69.5	73.5	83.5
	H4	36.8	36.8	36.8	41.2	46.5	56	60	70.5
	Weight (Kg)	0.70	0.67	0.63	0.94	1.39	2.91	3.66	6.31

3 WAYS BALL VALVE THREADED PN 40

ISO MOUNTING PAD AND STEM SIZE (in mm) :



Ref.	DN	1/4"	3/8"	1/2"	3/4"	1"	1"1/4	1"1/2	2"
780 / 781	C	9	9	9	11	11	14	14	14
	H1	8.5	8.5	8.5	11	12	13.5	13.5	13
	H4	36.8	36.8	36.8	41.2	46.5	56	60	70.5
	Ø K	42	42	42	50	50	70	70	70
	ISO	F04	F04	F04	F05	F05	F07	F07	F07
	N x Ø Z	4 x 6	4 x 6	4 x 6	4 x 7	4 x 7	4 x 9	4 x 9	4 x 9
	Ø K1	36	36	36	42	42	50	50	50
	ISO	F03	F03	F03	F04	F04	F05	F05	F05
	N x Ø Z1	4 x 6	4 x 6	4 x 6	4 x 6	4 x 6	4 x 7	4 x 7	4 x 7

3 WAYS BALL VALVE THREADED PN 40

STANDARDS :

- Fabrication according to ISO 9001 : 2015
- DIRECTIVE 2014/68/EU : CE N° 0036
Risk Category II Module A2
- Certificate 3.1 on request
- Pressure tests according to API 598, Table 6
- Threaded BSP cylindrical ends according to ISO 7-1 Rp
- ISO 5211 mounting pad
- ATEX Group II Category 2 GD c T2 Zone 1 & 21 Zone 2 & 22 (optional marking)

ADVICE : Our opinion and our advice are not guaranteed and SFERACO shall not be liable for the consequences of damages.
The customer must check the right choice of the products with the real service conditions.

3 WAYS BALL VALVE THREADED PN 40

INSTALLATION AND MAINTENANCE

BEFORE INSTALLATION :

Pipe-line must be cleaned and free from residual of weldings, rubbish, shaving and every kind of extraneous materials.
Pipe-line must be perfectly aligned and their support properly dimensioned so that there's no external constraint.

Please use the right product according to the services conditions to seal the valve.
Use the right bolt tightening so that the ends won't be damaged.

CLEANING AND TESTS

Keep opened the valves during the cleaning operation so that there are no impurities between the ball and the body.

Tests under pressure must be done with a cleaned pipe-line.

Open partially the valve for tests. Pressure test do not exceed the valve specifications according to API 598.

MAINTENANCE

It's recommended to operate the valve twice (open and close) 1 to 2 times per year.

When intervention on the valve, be sure there's no pressure in the pipe-line, there's no fluid in it, and that it is isolated.
The temperature must be low enough to operate without risks.
If there's a corrosive fluid, inert installation before intervention.

When the valve is under pressure :

If there's a leakage at the packing, tighten it slightly so that the leakage disappears.