

# ELECTRIC ACTUATOR SA-X05

## DESCRIPTION

The SA-X05 is used on ¼ turn valves in explosive areas. The maximum output torque is 50 Nm. The type of protection is by pressure-resistant encapsulation “d”. Its compact construction with an epoxy coated aluminium enclosure (protection IP 67) makes it convenient for actuation on ball valves and butterfly valves in explosive atmospheric conditions. The SA-X actuator is equipped with a visual position indicator and a manual override by key.



## LIMITS OF USE

Protection rating	IP 67
Temperature range	-20 °C / +55 °C
Service, according to the IEC 60034-1	S2 - 75%

## MECHANICAL CHARACTERISTICS

Gears	Treated steel
Torque	50 Nm
Manual override	6 mm Allen key
ISO 5211 pad	Star drive nut 14
Position indicator	LED
Torque limiter	Mechanical end stops



## ELECTRICAL CHARACTERISTICS

Actuator	Voltage	Operating time	Power	Hold current	Inrush current
SA-X05	230 V AC	17 s	6 W	0.23 A	0.35 A
SA-X05	24 V AC/DC	17 s	6 W	1.8 A	3.2 A
SA-X05	12 V DC	17 s	6 W	1.8 A	3.2 A
SA-X05-S	230 V AC	100 s	6 W	0.23 A	0.35 A
SA-X05-S	24 V AC/DC	100 s	6 W	1.8 A	3.2 A

Motor protection	Thermal cut-out	Anti-condensation	5 W heater
Limit switches	2 adjustable switches	Electrical connection	Gland pack M20x1.5 ATEX (not supplied)
Auxiliary switches	2 adjustable dry switches		

The following data is for information purpose only and may be subject to alteration without prior notice

	SECTORIEL S.A. 45, rue du Ruisseau 38290 Saint Quentin-Fallavier – FRANCE Tel.: +33 474 94 90 70 – Fax: +33 474 94 13 95 <a href="http://www.sectoriel.fr">www.sectoriel.fr</a> / email: sectoriel@sectoriel.fr	Pages	1/4
		Ref.	FT23310 GB
		Rev.	3
		Date	06/2009

# ELECTRIC ACTUATOR SA-X05

## ATEX CERTIFICATION

Device Group	II - Surface
Category	Zones 1 & 2
Atmosphere	G - Gas
Type of protection	"d" - pressure-resistant encapsulation (according to the EN 60079-1 standard)
Marking code	II 2 G Ex d IIC T4 (Notified body KEMA #0344)

## OPTIONS

SA-XPIU: feedback potentiometer version

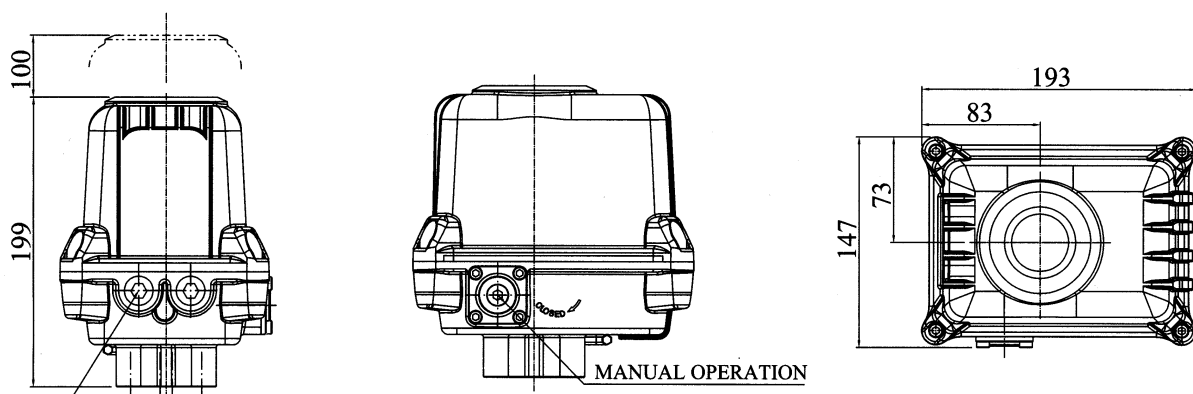
SA-XPCU: regulation version with a 4-20 mA input signal

## CONSTRUCTION


Enclosure	Epoxy coated aluminium
Cover	Epoxy coated aluminium
Gears, Stem, Cams	Steel
LED lamp	Tempered glass

## DIMENSIONS

Actuator	ISO 5211	Star drive nut
SA-X05	F03 / F05 / F07	14 mm



The following data is for information purpose only and may be subject to alteration without prior notice

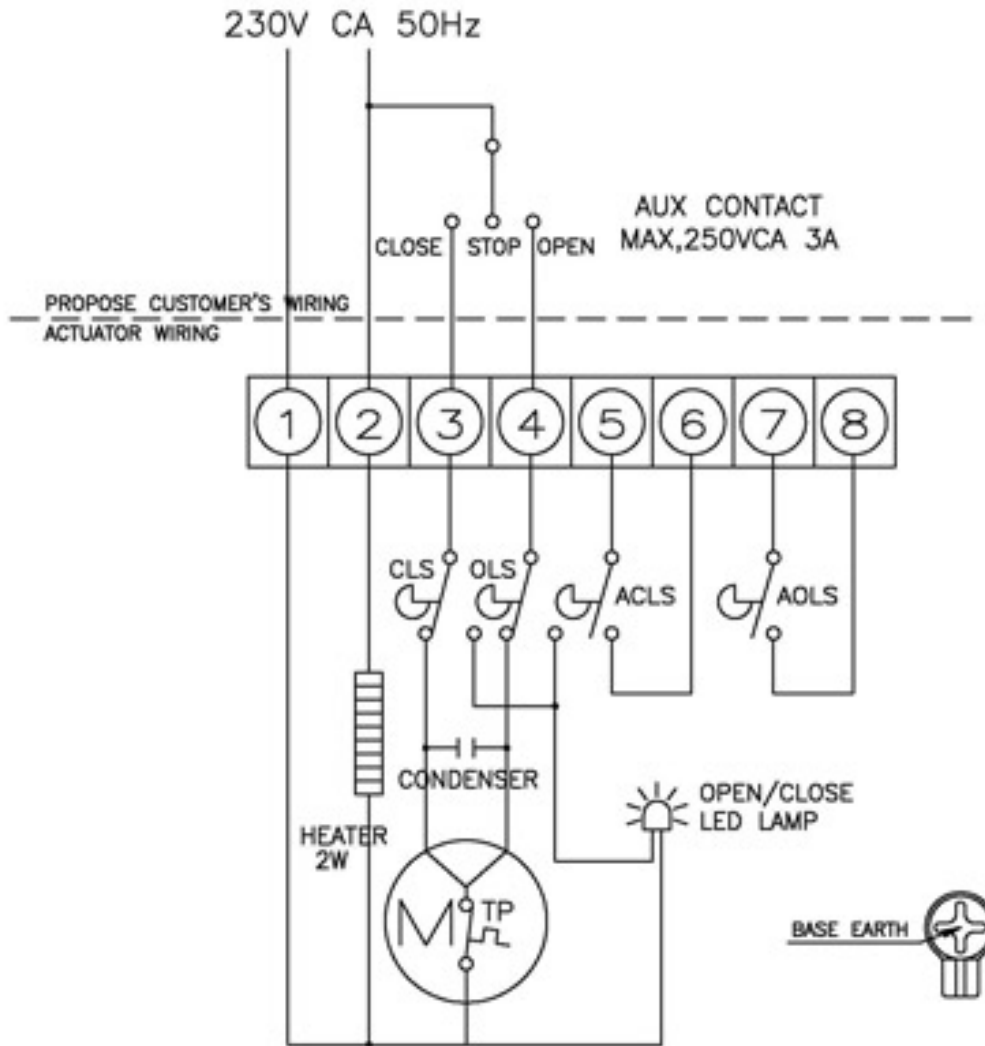
	SECTORIEL S.A. 45, rue du Ruisseau 38290 Saint Quentin-Fallavier – FRANCE Tel.: +33 474 94 90 70 – Fax: +33 474 94 13 95 <a href="http://www.sectoriel.fr">www.sectoriel.fr</a> / email: <a href="mailto:sectoriel@sectoriel.fr">sectoriel@sectoriel.fr</a>	Pages	2/4
		Ref.	FT23310 GB
		Rev.	3
		Date	06/2009

# ELECTRIC ACTUATOR SA-X05


## WIRING SCHEME SA-X05 230 V AC VERSION

CLS : CLOSE LIMIT SWITCH (250VCA 3A)  
 OLS : OPEN LIMIT SWITCH (250VCA 3A)  
 ACLS : AUX. CLOSE LIMIT SWITCH (250VCA 3A)  
 AOLS : AUX. OPEN LIMIT SWITCH (250VCA 3A)  
 TP : THERMAL PROTECTOR

SWITCH	CLOSE	OPEN
CLS		
OLS		
ACLS		
AOLS		



The following data is for information purpose only and may be subject to alteration without prior notice

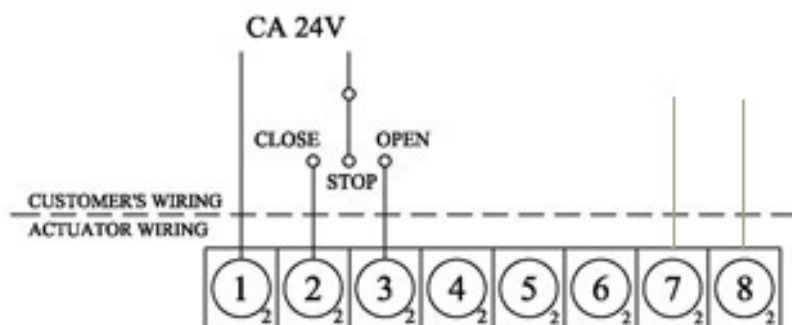
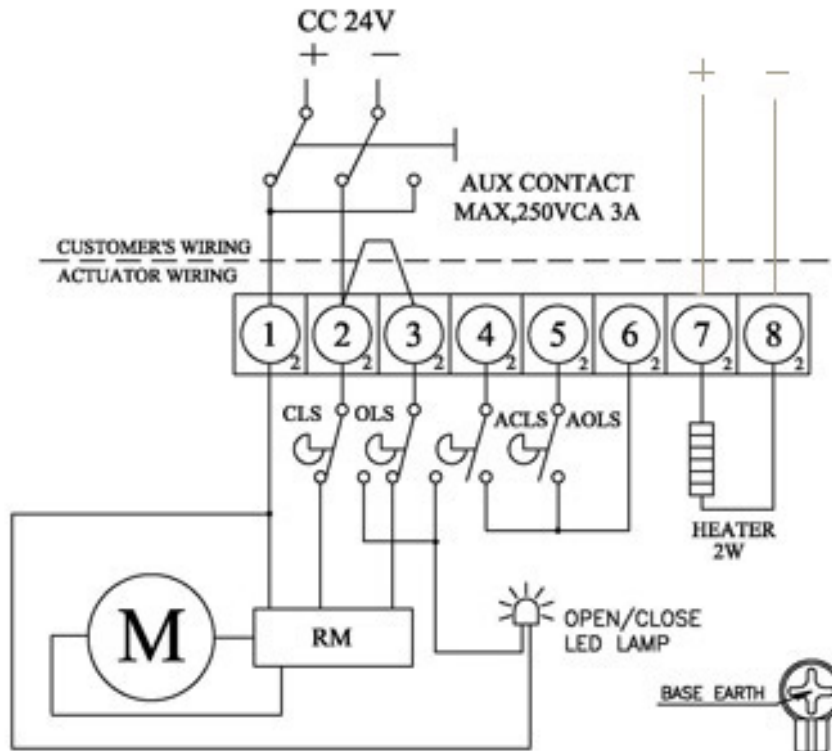
	SECTORIEL S.A. 45, rue du Ruisseau 38290 Saint Quentin-Fallavier – FRANCE Tel.: +33 474 94 90 70 – Fax: +33 474 94 13 95 <a href="http://www.sectoriel.fr">www.sectoriel.fr</a> / email: sectoriel@sectoriel.fr	Pages	3/4
		Ref.	FT23310 GB
		Rev.	3
		Date	06/2009

# ELECTRIC ACTUATOR SA-X05


## WIRING SCHEME SA-X05 24 V AC/DC VERSION

CLS : CLOSE LIMIT SWITCH (250VCA 3A)  
 OLS : OPEN LIMIT SWITCH (250VCA 3A)  
 ACLS : AUX. CLOSE LIMIT SWITCH (250VCA 3A)  
 AOLS : AUX. OPEN LIMIT SWITCH (250VCA 3A)  
 TP : THERMAL PROTECTOR  
 RM : MOTOR REGULATION

SWITCH	CLOSE	OPEN
CLS		
OLS		
ACLS		
AOLS		



The following data is for information purpose only and may be subject to alteration without prior notice

	SECTORIEL S.A. 45, rue du Ruisseau 38290 Saint Quentin-Fallavier – FRANCE Tel.: +33 474 94 90 70 – Fax: +33 474 94 13 95 <a href="http://www.sectoriel.fr">www.sectoriel.fr</a> / email: sectoriel@sectoriel.fr	Pages	4/4
		Ref.	FT23310 GB
		Rev.	3
		Date	06/2009