

**RUBBER EXPANSION JOINT TEGUFLEX® P PURPLE FKM**

ISO 9001 : 2015  
BUREAU VERITAS  
Certification



ISO 14001:2015  
BUREAU VERITAS  
Certification



PED/2014/68/UE  
BUREAU VERITAS  
Certification



  
**TRELLEBORG**



**Size :** DN 25 to 300  
**Ends :** Flanges PN10/16  
**Min Temperature :** - 20°C  
**Max Temperature :** + 150°C  
**Max Pressure :** 16 Bars  
**Specifications :** Absorb vibrations and noise  
Linear and angular compansion  
Inner Tube FKM

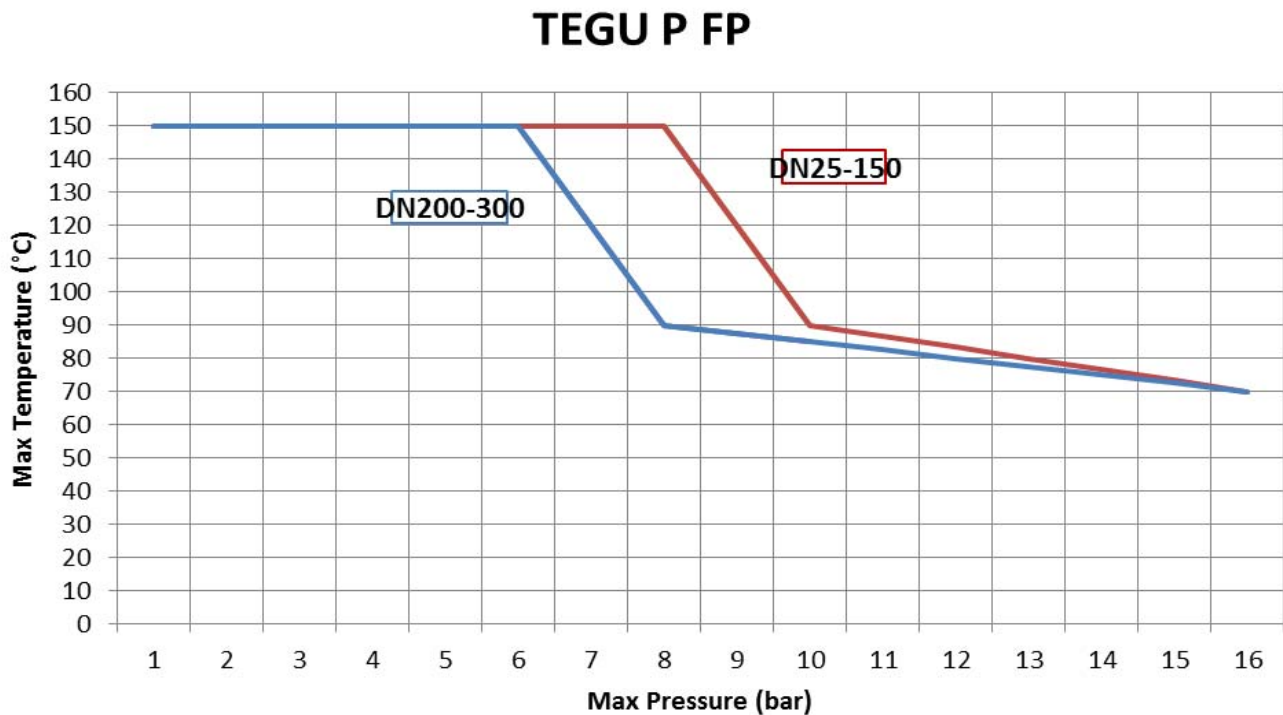
**Materials :** Dichromate zinc plated steel flanges

**RUBBER EXPANSION JOINT TEGUFLEX® P PURPLE FKM**
**SPECIFICATIONS :**

- Absorb vibration, noises and expansion
- Linear and angular compansion
- Inner tube FKM
- 130 mm length
- Dichromate zinc plated steel swiveling flanges
- PN10/16 up to DN150, PN10 over
- On request, PN6, PN16 and Class 150 PN20 flanges
- AISI 316 flanges on request
- AISI 316 Ti vacuum ring on request (Ref.9815050 to 9815300)
- Inner liner PTFE on request (movements allowed by the expansion joints are then reduced by 50 % and pressure max is 6 bars)
- Bursting pressure >50 bar at 20°C
- Test pressure 25 bar at 20°C

**USE :**

- Highly aggressive chemicals products at high temperature, hydrocarbons, aromatic solvent
- Min and max temperature Ts : - 20°C to + 150°C
- Max pressure Ps : 16 bars at 70°C ( 6 bars with PTFE lining )  
                                   8 bars at 150°C up to DN150  
                                   6 bars at 150°C from DN200 to DN300

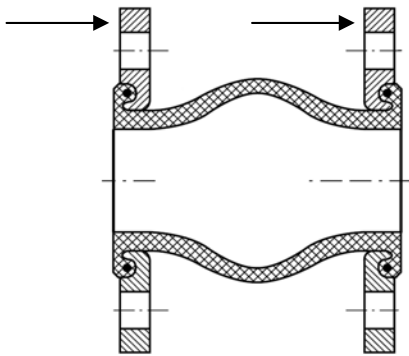
**PRESSURE / TEMPERATURE GRAPH (STEAM EXCLUDED) :**

**MAXIMUM VACUUM :**

DN	25/32	40	50	65	80	100	125	150	200	250	300
Vacuum (bar)	0.8	0.8	0.7	0.6	0.5	0.5	0.4	0.3	0.3	0.2	0.2

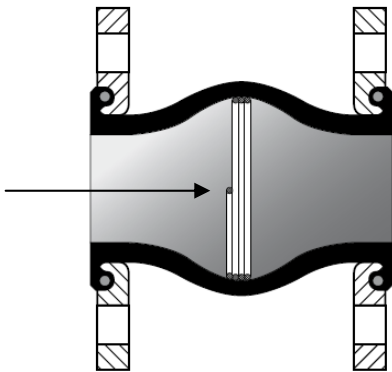
**RUBBER EXPANSION JOINT TEGUFLEX® P PURPLE FKM**

**RANGE :**

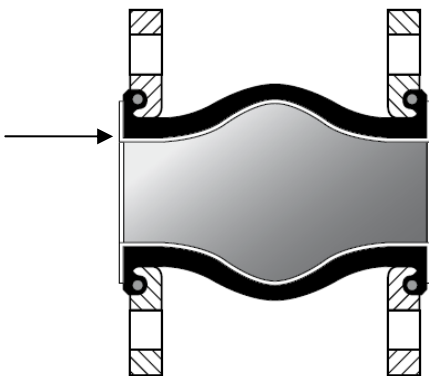
- FKM expansion joint with dichromate zinc plated steel flanges PN10/16 from DN 25 to DN 150, PN10 over **Ref. 1567**
- **On Request :**



- AISI 316 flanges



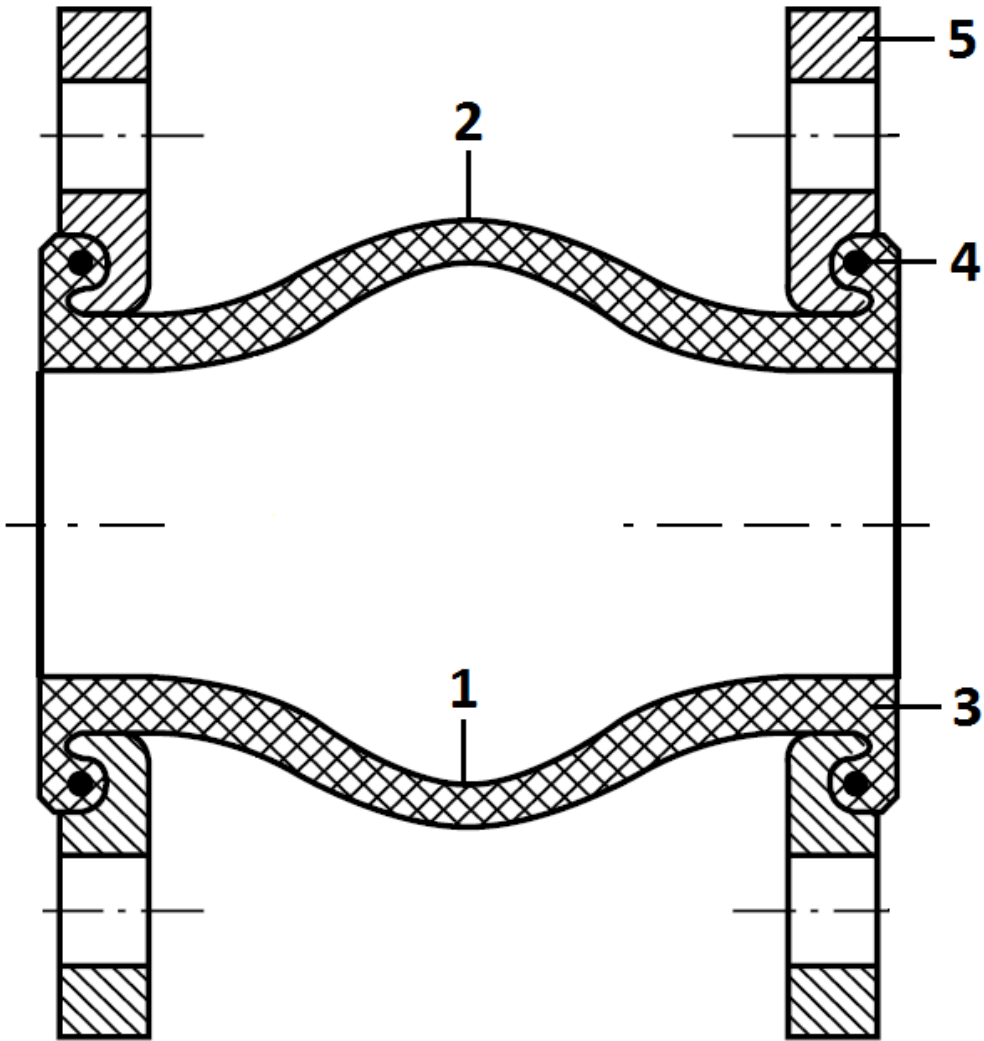
- AISI 316 Ti vacuum ring (vacuum up to 1 bar) Ref.9815050 to 9815300



- Inner liner PTFE (movements allowed by the expansion joints are then reduced by 50 % and pressure max is 6 bars)

**RUBBER EXPANSION JOINT TEGUFLEX® P PURPLE FKM**

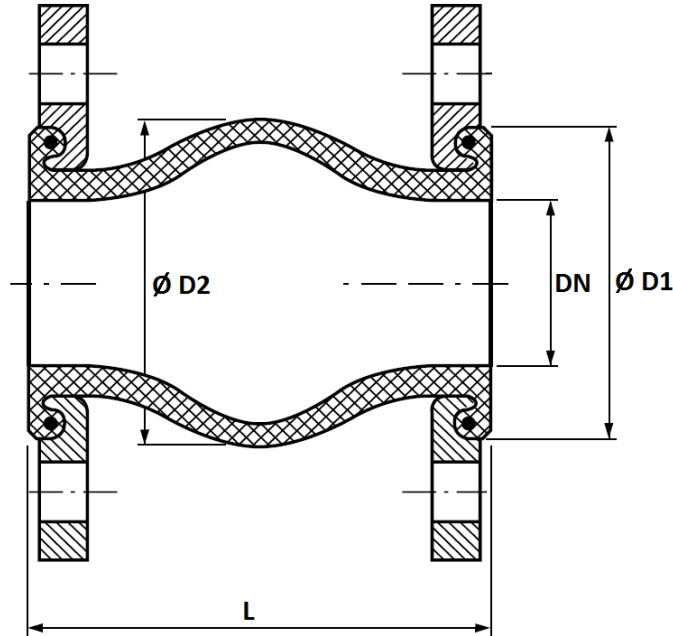
MATERIALS :



Item	Designation	Materials
1	Inner tube	FKM
2	Outer cover	FKM
3	Reinforcement	Synthetic textile
4	Brace	Carbon steel
5	Swiveling flanges	Dichromate zinc plated steel

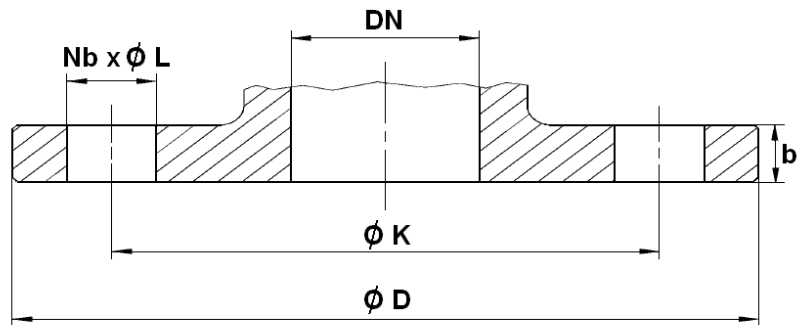
**RUBBER EXPANSION JOINT TEGUFLEX® P PURPLE FKM**

SIZE ( in mm ) :



Ref.	DN	25/32	40	50	65	80	100	125	150	200	250	300
1567	L	130	130	130	130	130	130	130	130	130	130	130
	Ø D1	72	80	90	105	120	140	165	190	240	290	340
	Ø D2	77	85	95	110	125	145	170	195	245	295	345
	Weight (Kg )	2.8	3.3	3.7	4.8	5.3	6.2	8.2	11.2	16.8	21.6	30.1

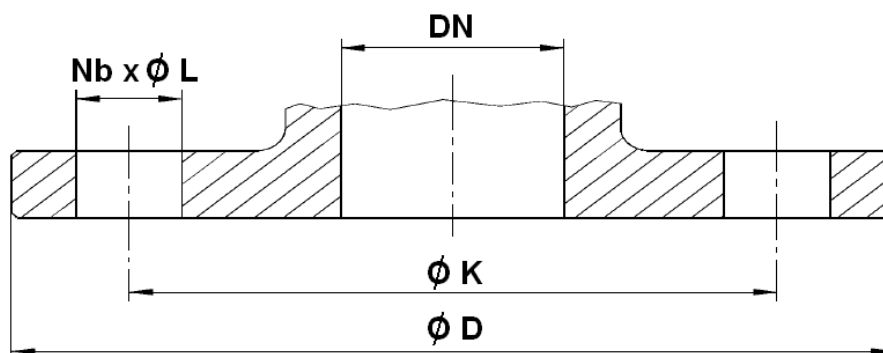
STANDARD FLANGES PN10 (PN10/16 UP TO DN150) SIZE ( in mm ) :



DN	25	32	40	50	65	80	100	125	150	200	250	300
Ø D	115	140	150	165	185	200	220	250	285	340	395	445
Ø K	85	100	110	125	145	160	180	210	240	295	350	400
Nb x Ø L	4x14	4 x 18	4 x 18	4 x 18	4 x 18	8 x 18	8 x 18	8 x 18	8 x 22	8 x 22	12 x 22	12 x 22
b	13.8	13.8	14	14.1	14.4	14.8	15.2	16	17.8	20.2	22.6	26.5

**RUBBER EXPANSION JOINT TEGUFLEX® P PURPLE FKM**

SIZE OF FLANGES ON REQUEST :



PN6 FLANGES ( in mm ) :

DN	25	32	40	50	65	80	100	125	150	200	250	300
Ø D	100	120	130	140	160	190	210	240	265	320	375	440
Ø K	75	90	100	110	130	150	170	200	225	280	335	395
Nb x Ø L	4 x 11	4 x 14	4 x 14	4 x 14	4 x 14	4 x 18	4 x 18	8 x 18	8 x 18	8 x 18	12 x 18	12 x 22

PN16 FLANGES ( in mm ) :

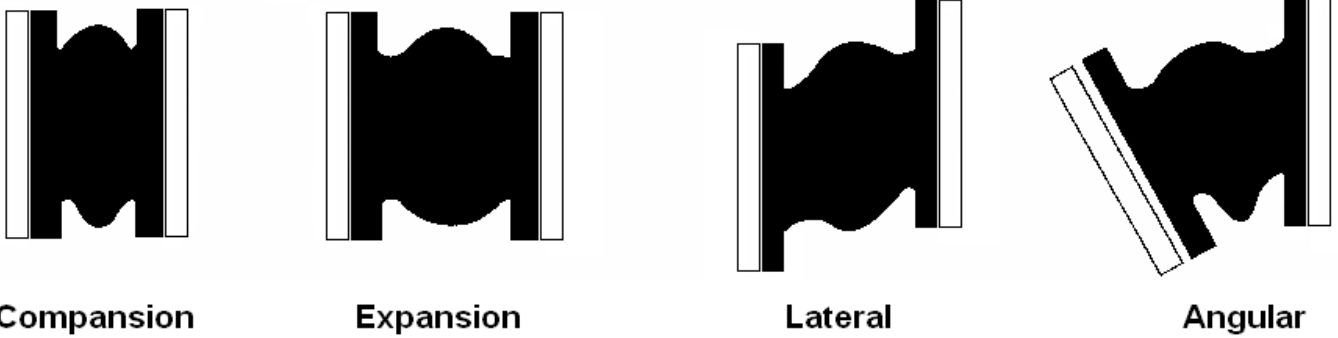
DN	200	250	300
Ø D	340	405	460
Ø K	295	355	410
Nb x Ø L	12 x 22	12 x 26	12 x 26

Class 150 PN20 FLANGES ( in mm ) :

DN (mm)	25	32	40	50	65	80	100	125	150	200	250	300
NPS ( " )	1"	1"1/4	1"1/2	2"	2"1/2	3"	4"	5"	6"	8"	10"	12"
Ø D	108	117	127	152	178	190	229	254	279	343	406	483
Ø K	79.4	88.9	98.4	120.6	139.7	152.4	190.5	215.9	241.3	298.4	361.9	431.8
Nb x Ø L	4 x 15.9	4 x 15.9	4 x 15.9	4 x 19	4 x 19	4 x 19	8 x 19	8 x 22.2	8 x 22.2	8 x 22.2	12 x 25.4	

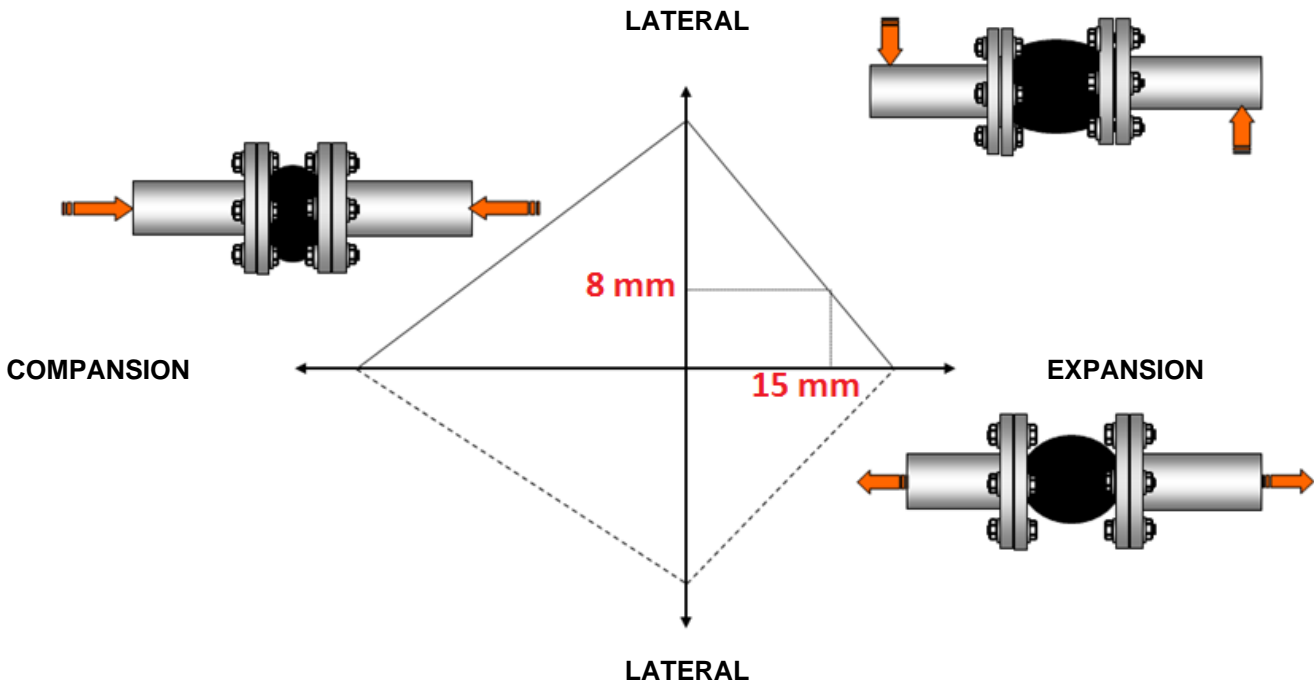
**RUBBER EXPANSION JOINT TEGUFLEX® P PURPLE FKM**

MOVEMENTS ( in mm ):



DN	25-50	65	80	100	125	150	200	250	300
Compansion	30	30	30	30	30	30	30	30	30
Expansion	20	20	20	20	20	20	20	20	20
Lateral	20	20	20	20	20	20	20	20	20
Angular	35°	30°	30°	25°	25°	15°	15°	10°	10°

Maximum movements can't be applied simultaneously.  
For example, with an expansion of 15mm, the maximum lateral movement will be 8 mm :



**RUBBER EXPANSION JOINT TEGUFLEX® P PURPLE FKM****MARKING :****STANDARDS :**

- Fabrication according to ISO 9001 : 2015 and ISO 14001 : 2015
- DIRECTIVE 2014/68/EU : CE N° 0056  
Risk category III Module H
- Flanges according to EN 1092-1 PN10/16

**ADVICE :** Our opinion and our advice are not guaranteed and SFERACO shall not be liable for the consequences of damages.  
The customer must check the right choice of the products with the real service conditions.



**RUBBER EXPANSION JOINT TEGUFLEX® P PURPLE FKM**

**INSTALLATION INSTRUCTION 1/4 :**

**Key factors for installation**

Rubber expansion joints are supplied ready for installation. Following advises are However to be taken into consideration in order to obtain a good performance and prolonged service life of the expansion joint.

**Fixed points**

An expansion joint acts as a piston by the forces arising from the internal pressure. To prevent the pipes from damage they are to be properly anchored in order to take care of these reaction forces (Fr). The reaction force of an expansion joint is calculated by the following formula:

**Fr = A x P x 0,01**

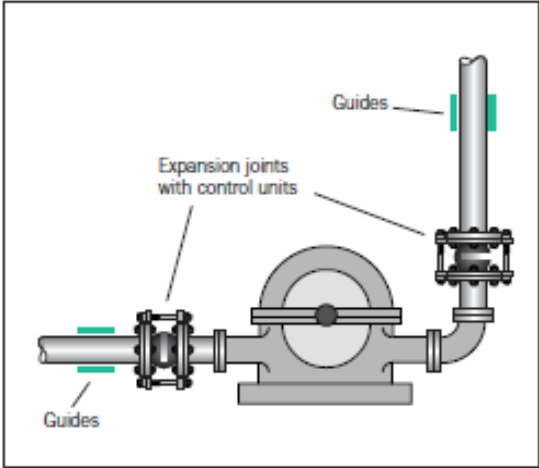
Fr = Reaction force in kN.

A = effective cross sectional area in cm<sup>2</sup>.

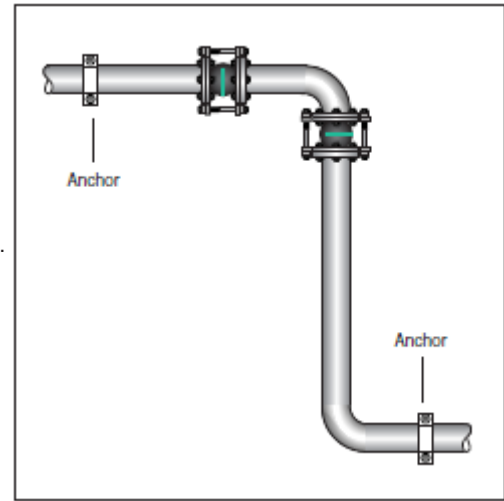
P = actual pressure in bar or kp/cm<sup>2</sup>.

**Installation**

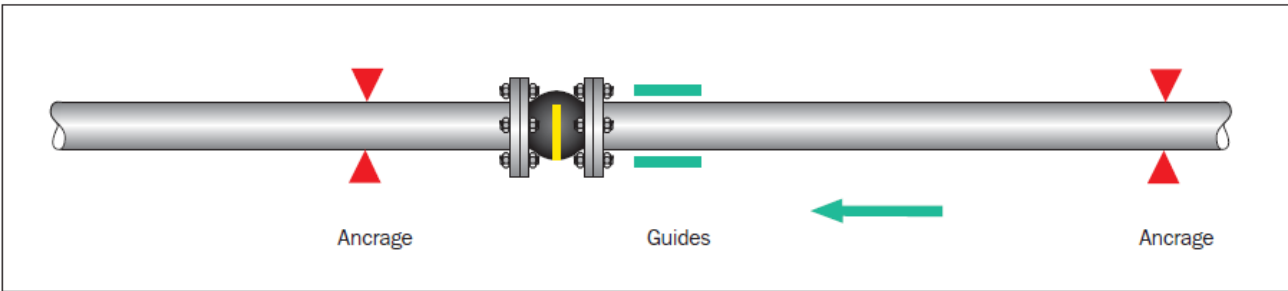
The turnable metal flanges make installation easier and eliminate twist. The low inherent rigidity of expansion joints make for easier accommodation of installation dimensions. The expansion joints shall be easily accessible and open to regular supervision. It is recommended to let the expansion joints work in compression rather than stretching. Torsion is not permitted. Check the permissible movements, temperature, pressure and proper rubber quality before installation!



Pressure-restrained expansion joint on pump (with tie bar). Absorb vibrations and thus relieve pressure on the machine housing.



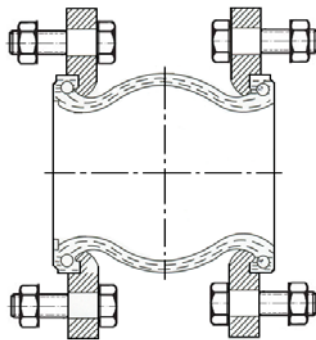
Arrangement with lateral expansion joints



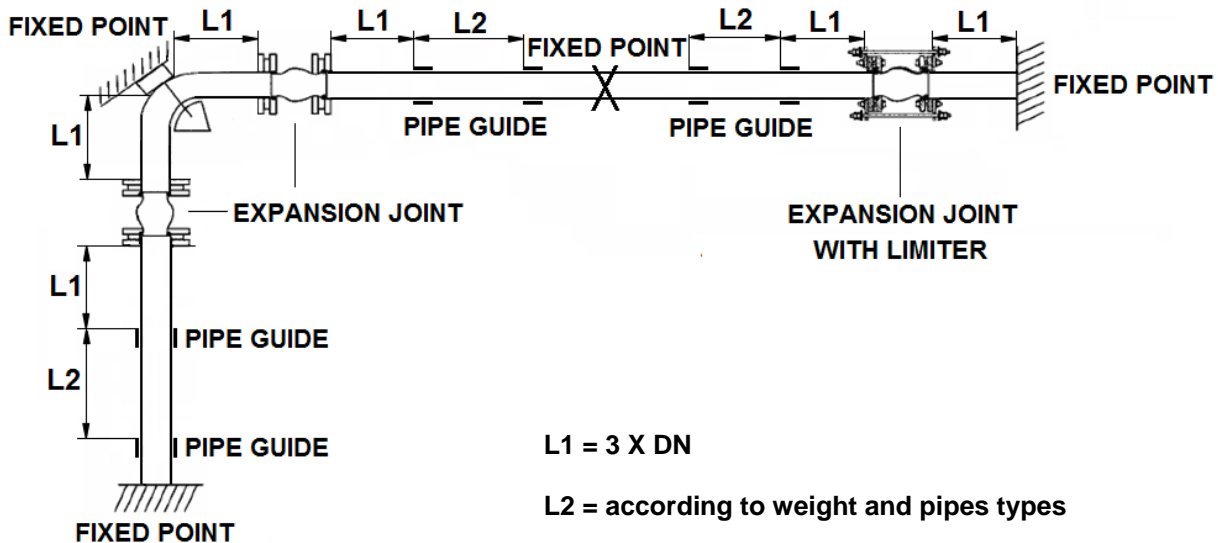
**RUBBER EXPANSION JOINT TEGUFLEX® P PURPLE FKM**
**INSTALLATION INSTRUCTION 2/4 :**

Expansion joint are designed for the absorption of previously specified movements under specific pressure and temperature conditions. So that the maximum service life is achieved, the following items must be observed during installation.

- Prior to fitment of the compensator it must be ensured that :
  - The route of the pipeline is straight - The expansion tallies with that of the chosen compensator
  - The expansion tallies with that of The chosen compensator
  - The fixes points are dimensionned so that they can absorb the reaction forces and stiffness rate that arise during use.
  - The pipeline is limited by fixed points
  - The distance between compensator and bearing may be a maximum of 3 times the pipe diameter. Place only one compensator between 2 bearings.
- Each pipe elbow must be fixed by support, specially if compensator is mounted with limiters. Fixed bearings are necessary because compensator is submitted to expansion when it is under pressure.
- Expansion joint must not be painted and heat-insulated. It must be protected from bad weather and solar radiation.
- During assembly operation, make sure screws are oriented according to the graph out below :



- Please apply the following stages order :
  - a) Fixed points for above pipeline
  - b) Fixed points for down pipeline
  - c) Compensator mounting
- Installation layout :



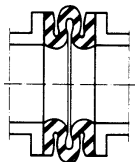
## RUBBER EXPANSION JOINT TEGUFLEX® P PURPLE FKM

### INSTALLATION INSTRUCTION 3/4 :

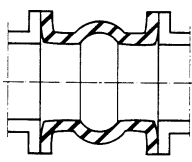
- Check that the compensator is not subjected to the weight of the pipeline. The installation length must agree with the installation gap. The compensator must never be twisted. It is recommended that specific characteristics be observed during maintenance :
  - The compensator must never be painted or recovered by heat insulation
  - The tightness of the bolts must be checked often, torque recommended :
    - Pre-Tightening : 50 Nm
    - Final Torque from DN25 to DN80 : 80 Nm
    - Final Torque from DN100 to DN300 : 100Nm
  - The flanges must be perfectly cleared
  
- Use limiters : When the working pressure can exceed the following values :
  - Up to DN100 : 10 bars
  - From DN125 to DN250 : 9 bars
  - From DN300 to DN350 : 6 bars
  - From DN400 to DN600 : 3 bars
  - When there is some risk of high pressure (pump starting) or high temperature.

**NOTA :** The life of compensator can vary because of working conditions (fluids, pressure, temperature), that is why it is necessary to check it regularly.

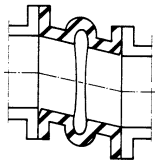
#### WRONG INSTALLATION :



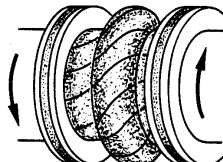
Excessive compansion



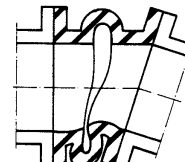
Excessive expansion



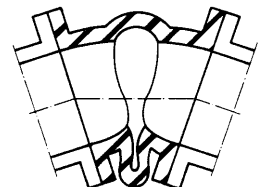
Cutting too important



Torsion



Important compansion and angular deviation



Angular deviation too important

**RUBBER EXPANSION JOINT TEGUFLEX® P PURPLE FKM**

**INSTALLATION INSTRUCTION 4/4 :**

**Mounting**

- In order to provide the movement capabilities indicated in the technical specifications, the assembly bolts should be mounted with bolts heads towards expansion joint body. (1)
- If this is for any reason impossible, ensure that the threaded bolts project as little as possible (no more than 2 or 3 mm) to avoid damage to the body.
- Tightening must be progressive and crosswise in diagonal sequence with bolting pressure evenly distributed.
- The design of the expansion joints secures a sealing to the counter flange. That is why no sealing gasket is required.

**Note:** If the bolts and nuts are tightened too strongly, the sealing face might be crushed causing improper function!

**Counter flanges**

It is very important for the safe operating and life expectancy of the expansion joint to make a proper installation of the counter flanges(Fig. 2 to 5). The sealing face of the counter flange must be machined smooth and cover most of the rubber sealing face (or at least 60%) to ensure a good sealing (Fig.2).

**Precaution**

Do not paint or lubricate rubber parts of expansion joints!  
When welding work is to take place the bellow has to be protected from welding heat and sparks!

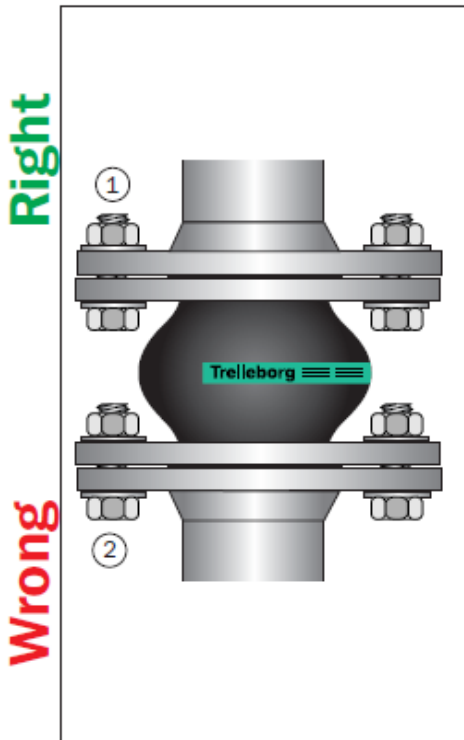


Fig. 1

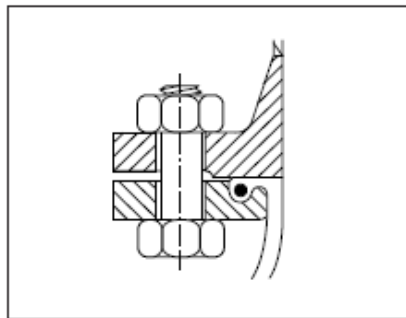


Fig. 2 Flange provided with smooth sealing surface.

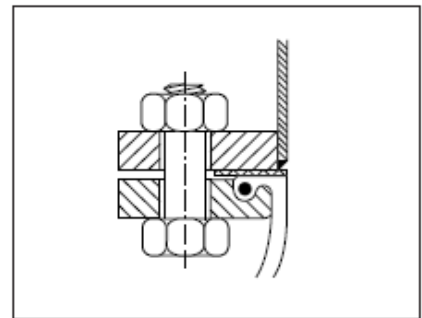


Fig. 4 Flange provided with flat sealing gasket to protect the rubber surface.

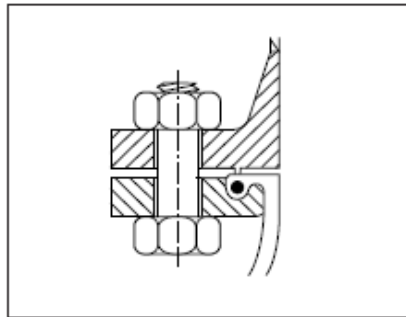


Fig. 3 Do not use flange with tongue or groove which will damage the rubber.

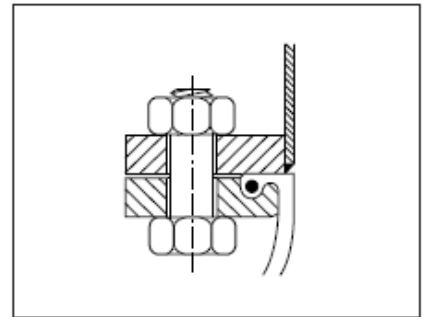


Fig. 5 Sharp edge pipe ends will damage the rubber face.

Right

Wrong

Right

Wrong