



# KLIMOS

ARMATURA PRZEMYSŁOWA



**REF. 710 / 711**

## 3 PIECES BALL VALVE FLANGED ISO PN40



**Lloyd's  
Register**

PED 97/23/CE



**Size :** DN 15 to 100 mm  
**Ends :** Flanges R.F. ISO PN40  
**Min Temperature :** -30°C in S.S. and -20°C in carbon steel  
**Max Temperature :** + 220°C  
**Max Pressure :** 40 Bars  
**Specifications :** ISO 5211 mounting pad  
PTFE filled with stainless steel seat  
Anti blow-out stem  
Atex

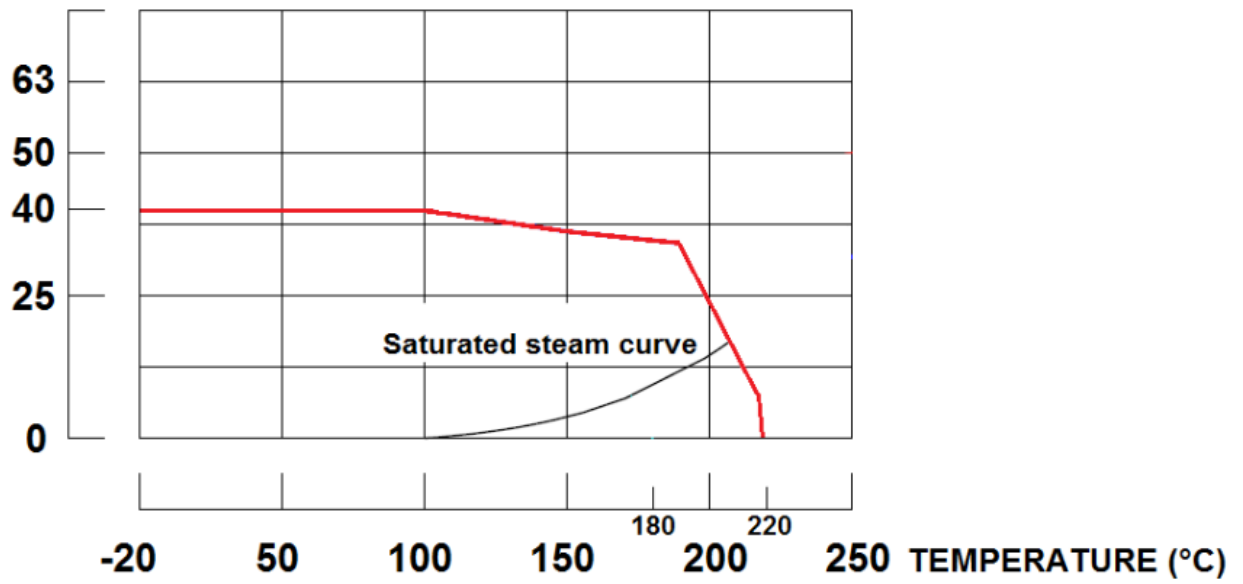
**Materials :** Carbon steel or Stainless Steel

KLIMOS Piotr Chróścik  
Ul. Legionowa 15 lok. 7  
15-281 Białystok  
NIP: 542-158-72-35

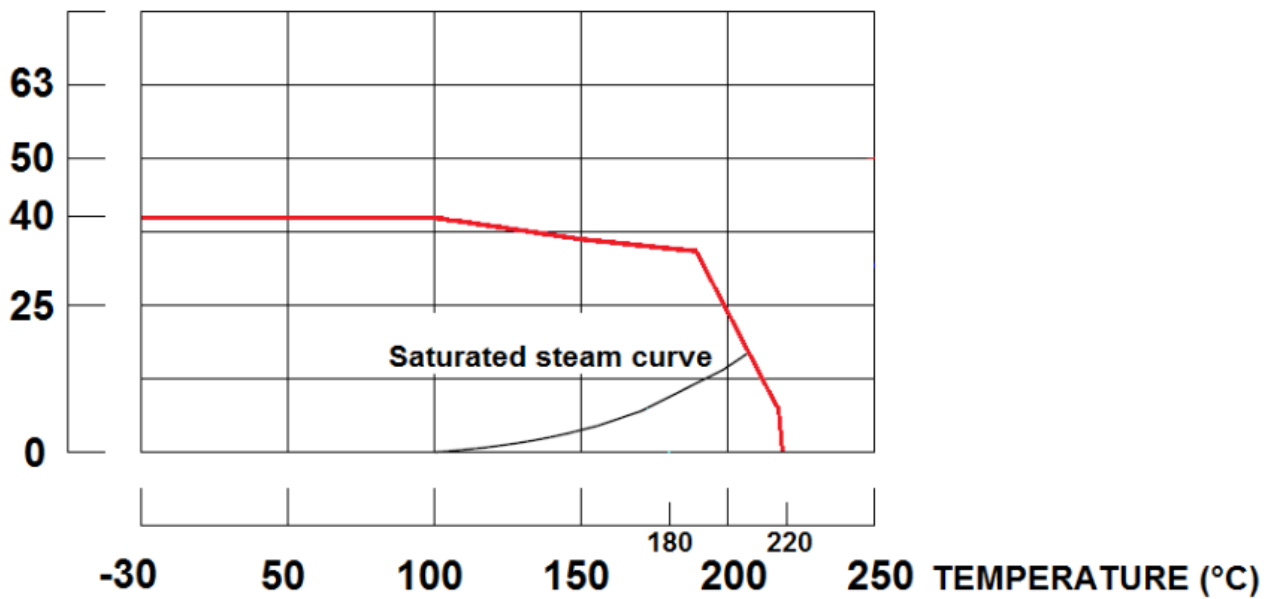
tel.: 85 742 01 82  
tel. kom.: 602 12 50 12  
e-mail: [info@klimos.pl](mailto:info@klimos.pl)  
[www.klimos.pl](http://www.klimos.pl)

PRESSURE / TEMPERATURE GRAPH :

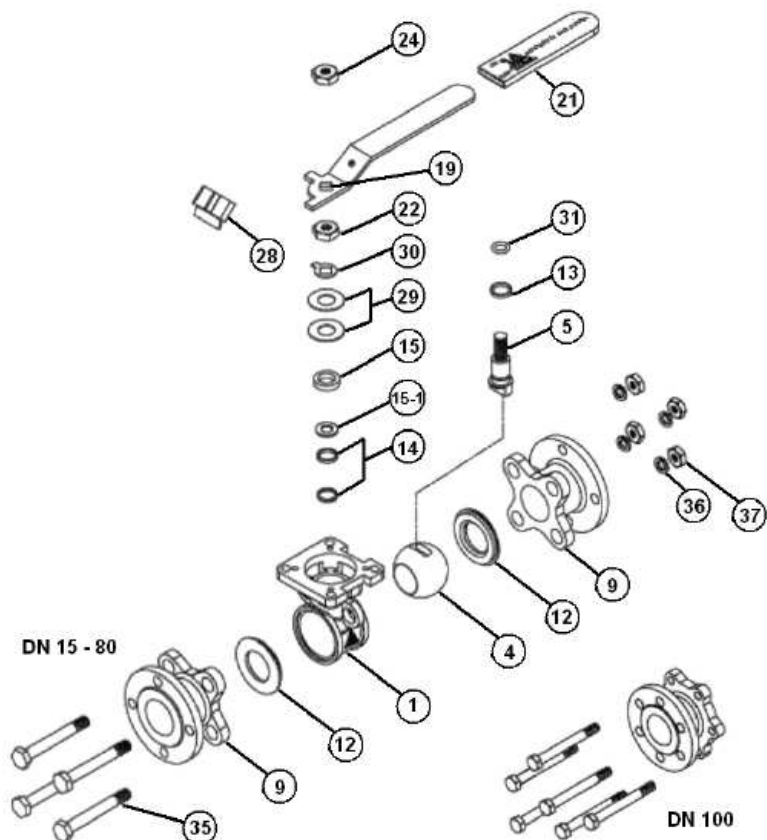
Carbon steel type ( Ref. 710 )



Stainless steel type ( Ref. 711 )



**MATERIALS :**

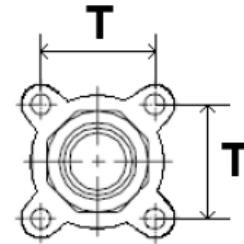
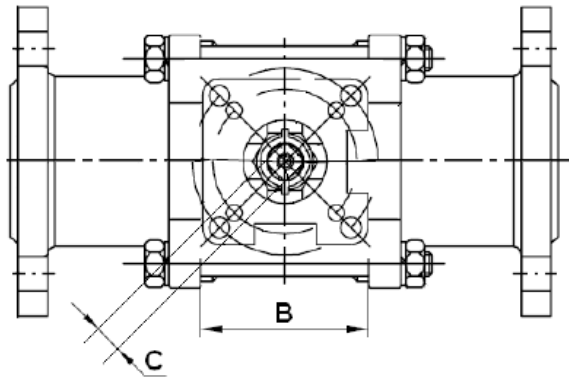


Item	Designation	Materials 710	Materials 711
1	Body	ASTM A216 WCB	ASTM A351 CF8M
4	Ball	ASTM A351 CF8M	
5	Stem	SS 316	
9	Ends	ASTM A216 WCB	ASTM A351 CF8M
12*	Seat	PTFE with 50% SS 316	
13*	Thrust washer	PTFE with 25% grafoil	
14*	Stem packing	PTFE with 25% grafoil	
15-1*	Packing Follwer	PTFE with 15% grafoil	
15	Gland bush	SS 304	
19	Handle	SS 304	
21	Handle cover	Plastic	
22	Stem nut	SS 304	
24	Handle nut	SS 304	
28	Locking device	SS 304	
29	Elastic washer	SS 301	
30	Tab washer	SS 304	
31*	O-ring	FKM	
35	Body bolt	SS 304	
36	Bolt washer	SS 304	
37	Bolt nut	SS 304	

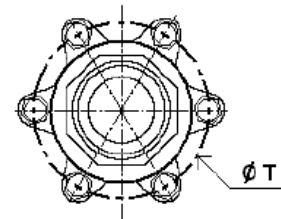
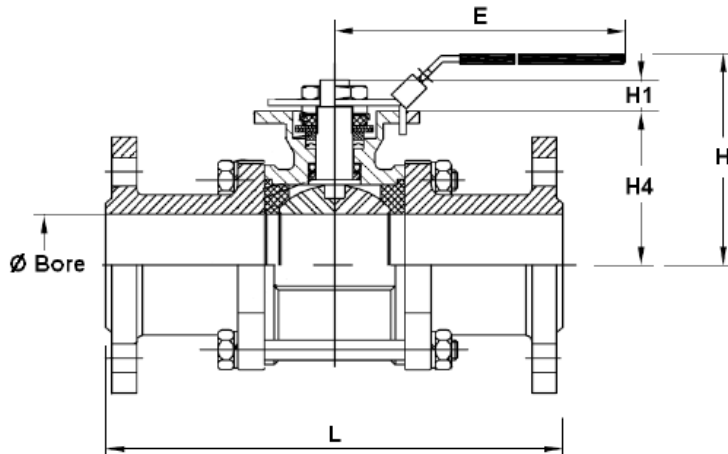
KLIMOS Piotr Chrościk  
 Ul. Legionowa 15 lok. 7  
 15-281 Białystok  
 NIP: 542-158-72-35

tel.: 85 742 01 82  
 tel. kom.: 602 12 50 12  
 e-mail: info@klimos.pl  
 www.klimos.pl

SIZE ( in mm ) :



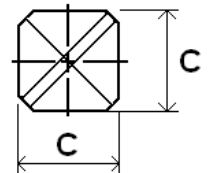
DN 15 – 80



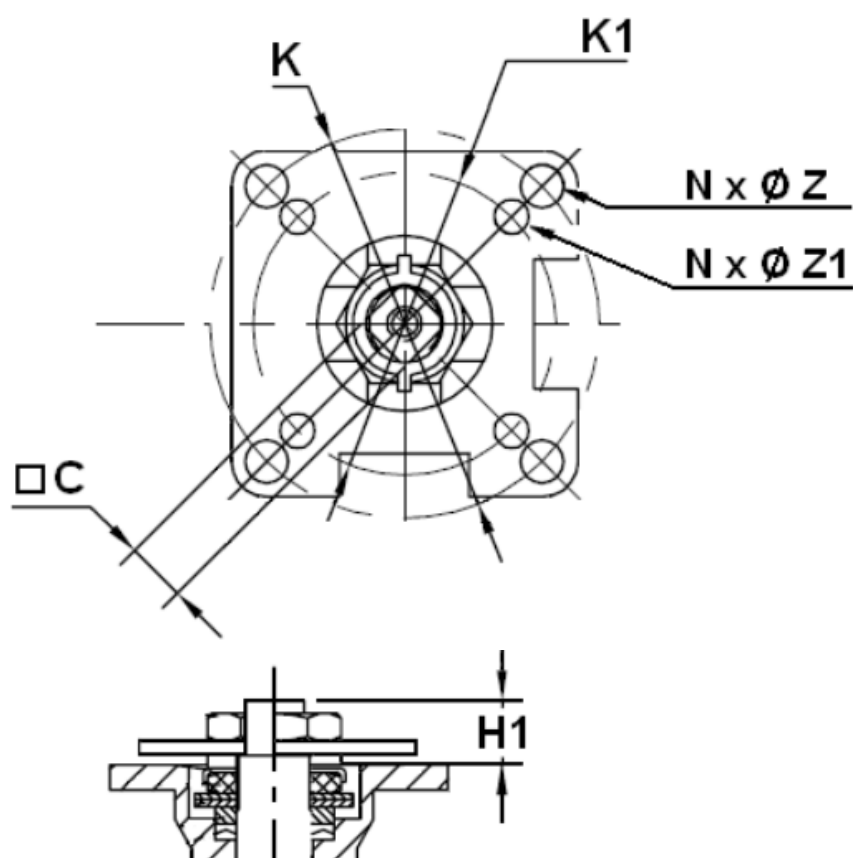
DN 100

Ref.	DN	15	20	25	32	40	50	65	80	100
710 / 711	Ø Bore	15	20	25	32	38	50	65	80	100
	L	130	150	160	180	200	230	290	310	350
	B	22.5	27.5	34	42.5	52	63.5	85.5	102	129
	E	112	112	136	185	197.9	197.9	264	264	325
	H	73	80.8	90.5	98.7	115.3	124	155	208.5	216.7
	H1	8.5	8.5	11.4	11.4	14	13.7	18	18	23
	H4	37	45	53.5	59	74.8	83.5	108.8	118.3	153.8
	C	9	9	9	9	14	14	17	17	17
	T	31	35	41	49	59	71	91	107	195
	Weight ( Kg )	2.04	2.9	3.66	5.4	6.76	9.75	15.36	21.33	36.70

Stem size :

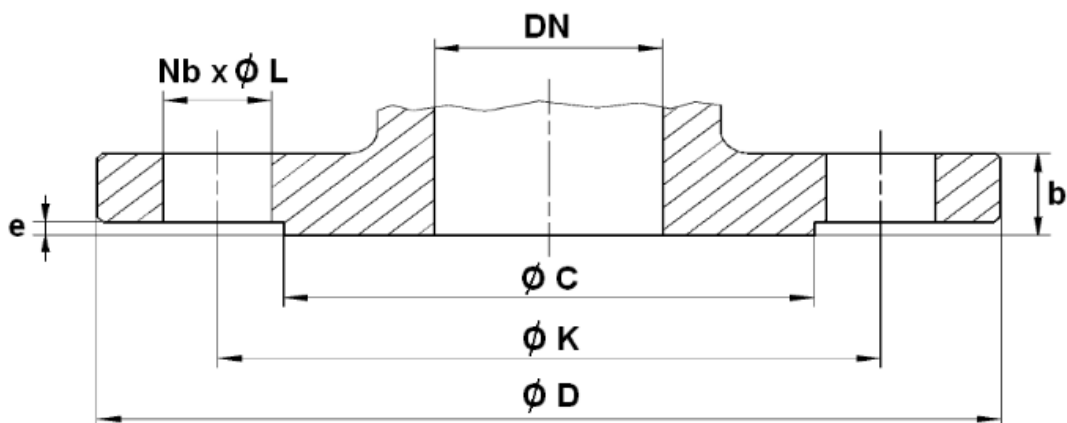


**ISO MOUNTING PAD AND STEM SIZE ( in mm ) :**



Ref.	DN	15	20	25	32	40	50	65	80	100
710 / 711	C	9	9	9	9	14	14	17	17	17
	H1	8.5	8.5	11.4	11.4	14	13.7	18	18	23
	Ø K	50	50	50	50	70	70	102	102	102
	ISO	F05	F05	F05	F05	F07	F07	F10	F10	F10
	N x Ø Z	4 x 7	4 x 7	4 x 7	4 x 7	4 x 9	4 x 9	4 x 11	4 x 11	4 x 11
	Ø K1	36	36	36	36	50	50	70	70	70
	ISO 1	F03	F03	F03	F03	F05	F05	F07	F07	F07
	N x Ø Z1	4 x 6	4 x 6	4 x 6	4 x 6	4 x 7	4 x 7	4 x 9	4 x 9	4 x 9

**FLANGES SIZE ( in mm ) :**



DN	15	20	25	32	40	50	65	80	100
$\varnothing C$	45	58	68	78	88	102	122	138	162
$\varnothing D$	95	105	115	140	150	165	185	200	235
$\varnothing K$	65	75	85	100	110	125	145	160	190
$Nb \times \varnothing L$	4 x 14	4 x 14	4 x 14	4 x 18	4 x 18	4 x 18	8 x 18	8 x 18	8 x 22
b	16	18	18	18	18	20	22	24	24
e	2	2	2	2	3	3	3	3	3

**TORQUE VALUES ( in Nm without safety coefficient ) :**

DN	15	20	25	32	40	50	65	80	100
Torque ( Nm )	7.6	14.5	21	25	35	60	80	88	190

**BOLT TIGHTENING TABLE ( in Nm):**

DN	15	20	25	32	40	50	65	80	100
Torque ( Nm )	6.9	9.8	9.8	11.8	15.7	20.6	54.9	73.5	94.1

**FLOW COEFFICIENT Kvs ( M3 / h ) :**

DN	15	20	25	32	40	50	65	80	100
Kvs ( m3/h )	31.3	57.9	94.3	157.9	227.9	414.8	720.2	1091	1754

**STANDARDS :**

- Fabrication according to ISO 9001 : 2008
- DIRECTIVE 97/23/CE : CE N° 0038  
Risk Category III Module H
- Construction according to EN 12516
- Tests according to EN 12266-1, rate A
- Flanges according to EN 1092-1 PN40
- ISO 5211 mounting pad
- Length according to EN 558 series 28 ( NF 29355 DIN 3202 F1 )
- ATEX Group II Category 2 G/2D Zone 1 & 21 Zone 2 & 22 ( optional marking )